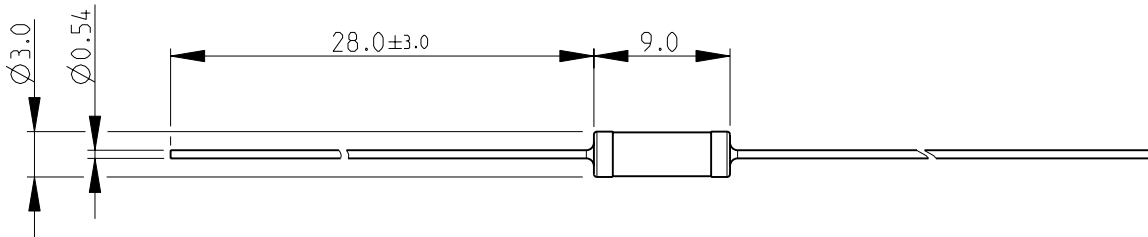
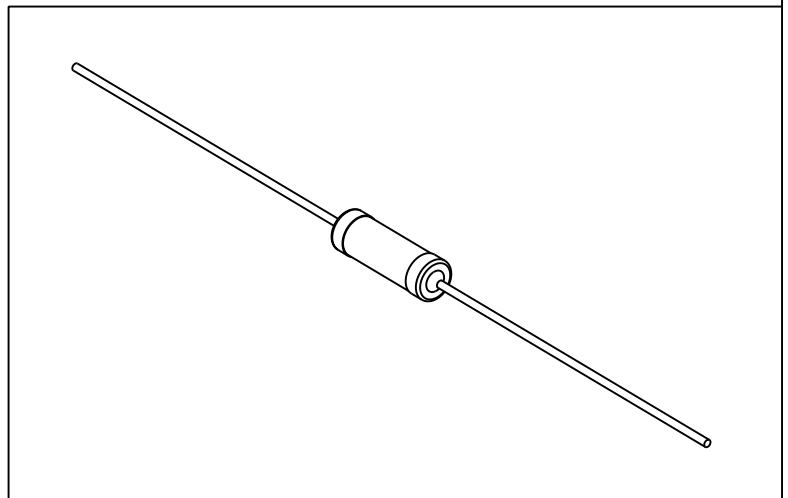


LOC	DIST	REVISIONS			
P	LTR	DESCRIPTION	DATE	DWN	APVD
E	B	BA1	REVISED PER ECO-11-005150	29MAR2011	RK HMR

FOR FURTHER INFORMATION SEE DATA SHEET FOR
CFR SERIES-CARBON FILM FIXED RESISTORS



RoHS Compliant




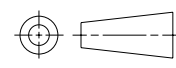
2008

RELEASED FOR PUBLICATION

ALL RIGHTS RESERVED.

THIS DRAWING IS UNPUBLISHED.

BY -
© COPYRIGHT 2008

DIMENSIONS: mm	DWN	20-Sep-08	MATERIAL	-	FINISH	-
	SUBHASH.M					
TOLERANCES UNLESS OTHERWISE SPECIFIED:	CHK	20-Sep-08	 TE Connectivity			
	PRAKASH.S					
0 PLC ±0.2 1 PLC ±0.1 2 PLC ±- 3 PLC ±- 4 PLC ±- ANGLES ±5°	APVD	20-Sep-08	NAME CARBON FILM FIXED RESISTORS SERIES CFR50			
	STEPHEN.P					
	PRODUCT SPEC	-	SIZE	A 4	CAGE CODE	00779
	APPLICATION SPEC	-	DRAWING NO	C= 1623932		RESTRICTED TO
WEIGHT -			CUSTOMER DRAWING		SCALE	2:1
					SHEET	1 OF 1
					REV BA1	